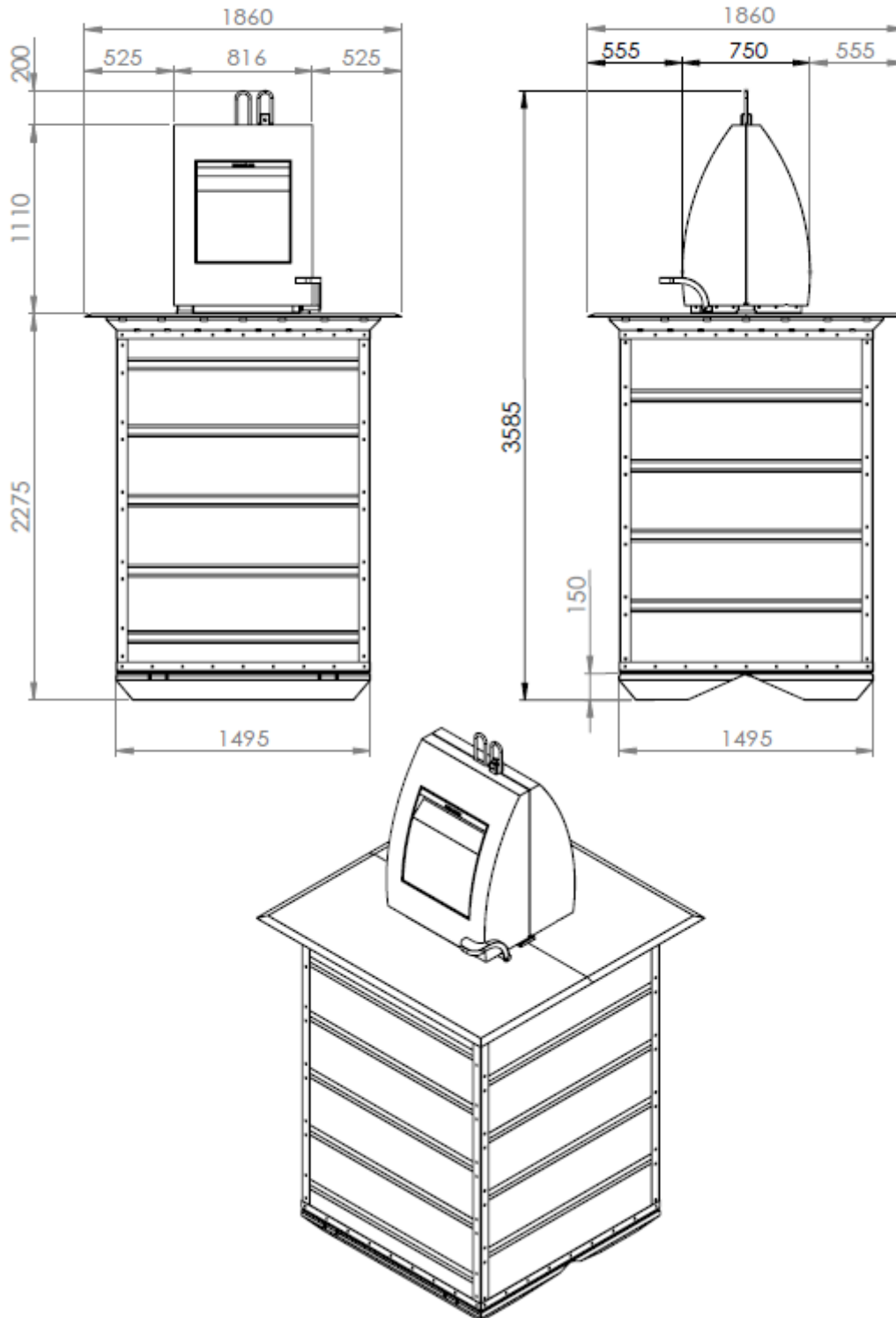


5m³ FULL UNDERGROUND DOUBLE HOOKS CONTAINER SYSTEM TECHNICAL SPECIFICATION

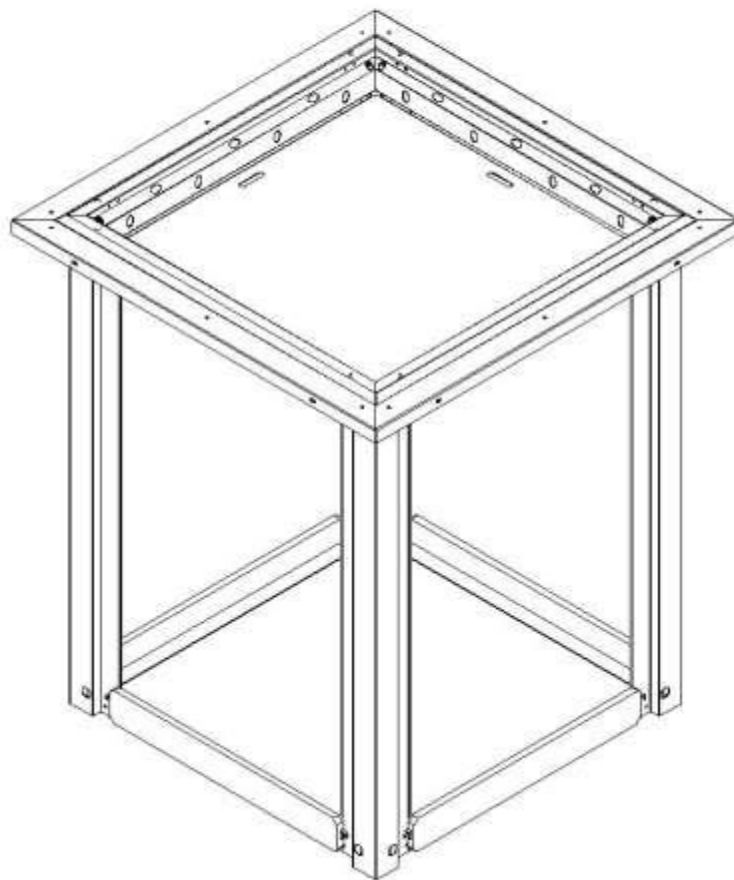
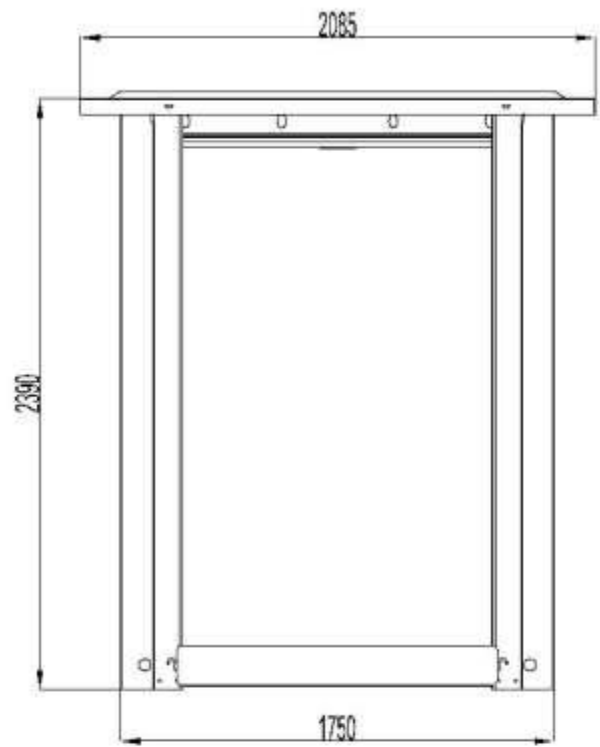
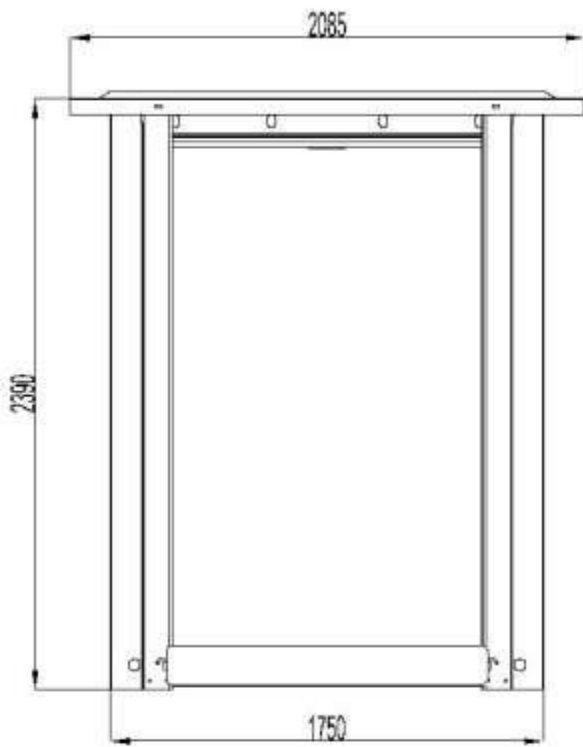
- 1- In the fully underground container system, the container, which the driver manages with the help of remote control, will be lifted from the lifting mechanism of the inner container with the help of an automatic and manual control by the driver, by getting out of the vehicle or without getting out of the vehicle.
- 2- In order to prevent the weights of the lower platform from touching the inner container and to act as a bed for the lower platform, outer chassis pillars will be built. The poles will be made of galvanized sheet with a thickness of at least 2 mm in accordance with TS EN 10346 Standard.
- 3- The safety platform will be connected to an elevator system that closes the mouth of the well in a way that prevents any objects from falling when the inner container is removed for unloading or other reasons. There will be equal weights on all four sides of the security platform, it will work with the help of steel ropes and pulleys and it will have a carrying capacity of at least 200 kg.
- 4- The outer chassis upper frame will be hot-dip galvanized in accordance with TS EN ISO 1461 standards, on sheet metal with a thickness of 3.mm.
- 5- The upper walking platform will be strong enough that people can walk on it easily, it will be covered with 3/4 mm tear pattern sheet and hot-dip galvanized in accordance with TS EN ISO 1461 standards.
- 6- The inner container will be 2 mm thick galvanized sheet in accordance with TS EN 10346 Standard. In order to increase the strength of the sheets to be resistant to the loads coming from the inside and outside, there will be 4 knuckles in each of the 2 side sheets and 5 knuckles in each of the 2 side sheets.
- 7- Bolts used in the system shall be galvanized with at least 8.8 quality (DIN 961- 933), nuts (DIN985) shall be galvanized with fiber.
- 8- In order to lift the container system with the crane system, there will be a mushroom head lifting horse trench in the upper center of the chimney and it will work with the mechanism arm inside. By moving the pipe arms with the mechanism arm, the lower covers will be opened and closed.
- 9- Cover opening handle connections will be made with bolted assembly.
- 10- Materials of suitable quality for the carrying capacity will be used in the cover opening mechanism.
- 11- The lower lids of the inner container will be opened 90 degrees so that the garbage can be completely emptied.
- 12- Bottom cover sheets will be 3 mm thick, hot-dip galvanized in accordance with TS EN ISO 1461 standards. In addition, it will be constructed in a way that it can carry liquid wastes with a capacity of 300 liters and a depth of 150 mm.
- 13- Security Platform; It will be designed in accordance with the bottom covers and it will be designed in such a way that it will act as a nest when the inner container is first placed, and ensure that the inner container goes down properly.
- 14- Security Platform; Rope joints will be durable, bending under load, buckling etc. will be resistant to situations such as.

- 15- There will be an equal weight system on all 4 sides of the lower platform weights. Connection hooks and reels will be made in accordance with the carrying capacity.
- 16- The body of the garbage disposal chimney will be made of 3 mm thick sheet metal, covered with hot-dip galvanized in accordance with TS EN ISO 1461 standards.
- 17- Garbage disposal chimney body cover will be 1.5 mm thick AISI 304 quality Chrome Nickel sheet.
- 18- Garbage disposal cabinet covers will be resistant to corrosion and impacts of all kinds of atmospheric conditions.
- 19- The garbage disposal chimney cover will be made of AISI 304 quality Chrome Nickel sheet with a thickness of 1.5 mm so that it can be opened easily by hand or pedal.
- 20- There will be a hand grip so that the chimney cover can be opened easily by hand, and a foot pedal will be made so that it can be opened easily with the foot. The garbage disposal area will be opened 450 mm.
- 21- 2 pieces 90 N shock absorbers will be used for the garbage disposal chimney cap to close automatically and stay in the closed position.
- 22- A total of 4 pieces rubber wedges, 2 pieces on both sides, will be used to prevent knocking during the opening or closing of the garbage disposal chimney cover. The garbage disposal chimney cover will be bearing with a ball bearing.
- 23- The Covers will be easy to open by any user and will have a self-closing feature after the waste is thrown away.
- 24- The administration's logo will be a warning, safety sign and labels indicating the type of garbage.
- 25- External concrete socket will be prepared using C35/45 quality reinforced exposed concrete. There will be 8 mm ribbed rebar in the concrete socket.
- 26- The waterproofing of the outer concrete socket will be 100%. The concrete socket will be one piece (solid) with a wall thickness of 120 mm, and the internal dimensions of the concrete socket will be 1820x1820x2400 mm, and the outer dimensions will be 2060x2060x2520 mm.
- 27- There will be 2 mm slope and 50 mm water discharge pipe hole at the base of the outer concrete socket.
- 28- THE SYSTEM WILL HAVE TS EN 13071-1 and TS EN-13071-2 + A1 CERTIFICATE
- 29- TS EN ISO 1461 CERTIFICATE WILL BE FOR HOT DIP GALVANIZED.

**5000 LİTER UNDERGROUND WASTE CONTAINER DIMENSIONS
(DOUBLE HOOKS)**



SECURITY PLATFORM DIMENSIONS



CONCRETE SOCKET DIMENSIONS

