

## **HYDRAULIC JACK SYSTEM UNDERGROUND WASTE CONTAINER SPECIFICATION**

- 1-** The underground container system will be connected to the container system with the jack hose taken from the compressed garbage truck and it will be operated with manual control.
- 2-** When the underground container system is operated due to the emptying of the inner container or for any other reason, it will be ensured that the garbage containers are brought to the ground level thanks to the moving platform.
- 3-** The underground container system will be constructed in a scissor chassis structure and will be such that the inner containers can be emptied.
- 4-** The chassis will be of high strength against bending and torsion.
- 5-** Chassis will be 45x80 NPU, Scissors will be 50x100x4mm profile.
- 6-** Chassis bedding and other bedding pins will be made of Dk.1040 material with invoice.
- 7-** There will be dowel places to fix it to the concrete socket from 4 (four) corners on the lower chassis.
- 8-** The up-down movement of the container will be provided by the hydraulic cylinder.
- 9-** Fine-adjusted check valve will be used to adjust the downward movement of the elevator system as desired.
- 10-** In order to provide up-down movement of the container, the jack inlet is connected to the side of the system and water etc. There will be a jack box that can be closed with a butterfly key lock and with a lid, so that there is no leakage.
- 11-** The system will be such that it can be mounted as lower chassis, upper chassis and chassis poles.
- 12-** In the up-down movement of the container, the scissors will be bedded with M27 bolts in the chassis connections. M27 fiber nut will be used.
- 13-** The container will have a scissor chassis structure and will be able to move up and down by means of derlon wheels.
- 14-** Bolts used in the system will be galvanized with at least 8.8 quality (DIN 961-933), nuts (DIN985) will be galvanized with fiber.
- 15-** 30x5mm gasket will be used to ensure water tightness.
- 16** There will be a cover on the Inner Platform made of 500x400x2 mm 2 mm thick TS 822 galvanized sheet for any reason to descend to the lower part.
- 17-** The inner platform sheet will be in a structure that will gain strength by bending the edges.
- 18-** There will be container centering rail and container fixing mechanism at the back of the inner platform to prevent the containers from falling behind and to center the containers.

**19-** The upper walking platform will be strong enough that people can walk on it easily, and it will be hot-dip galvanized in TS EN ISO 1461 standards from at least 3/4 mm tear-pattern sheet metal.

**20-** Metal surfaces will be hot-dip galvanized in accordance with TS EN ISO 1461 standards.

**21-** lift system; will be single-acting. Pipes will be manufactured from DIN 2391 seamless, ST52-3 BK + S or DIN 2391 material, cold drawn, H8 tolerance, precision honed pipe. Rod will be made of 50 micron chrome plated, CK 45 material, F7 tolerance material.

**22 -** SAE 100 R1AT quality material will be used in the hydraulic hose. Steel installation pipes will be ST 37-4 or top quality drawn steel, seamless, phosphate coated and annealed. EU origin and CE certified products will be used in the equipment.

**23 -** The body of the garbage disposal chimney will be 570 x 620 mm and its height from the ground will be 800 mm.

**24 -** The body of the garbage disposal chimney will be 1.5 mm thick, AISI 304 quality Chrome Nickel sheet.

**25-** Garbage disposal chimney cover will be 1.5 mm thick AISI 304 quality Chrome Nickel sheet.

**26-** There will be a plastic handle so that the chimney cover can be opened easily by hand, and there will be a foot pedal so that it can be opened easily with the foot.

**27-** The foot pedal will be made of 3x4 teardrop patterned sheet, hot-dip galvanized in accordance with TS EN ISO 1461 standards.

**28-** A wick will be attached to the chimney cover to prevent noise and odor.

**29-** Chimney covers can be opened easily by any user, there will be a shock absorber so that the cover can be closed automatically after the garbage is thrown away.

**30-** There will be the administration's logo, warning safety signs and labels indicating the type of garbage on the garbage chutes.

**31-** The outer concrete socket will be prepared using C35/45 quality reinforced exposed concrete. In the concrete socket, 6 mm ribbed rebar will be in the range of 15x15cm cages.

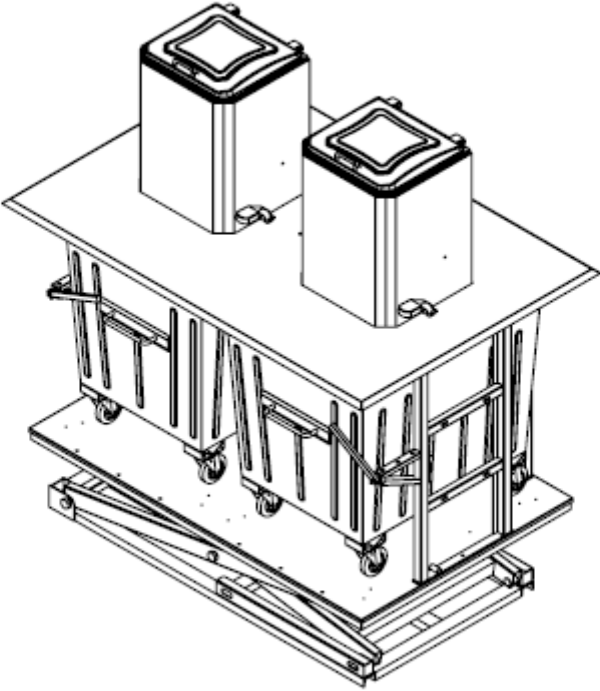
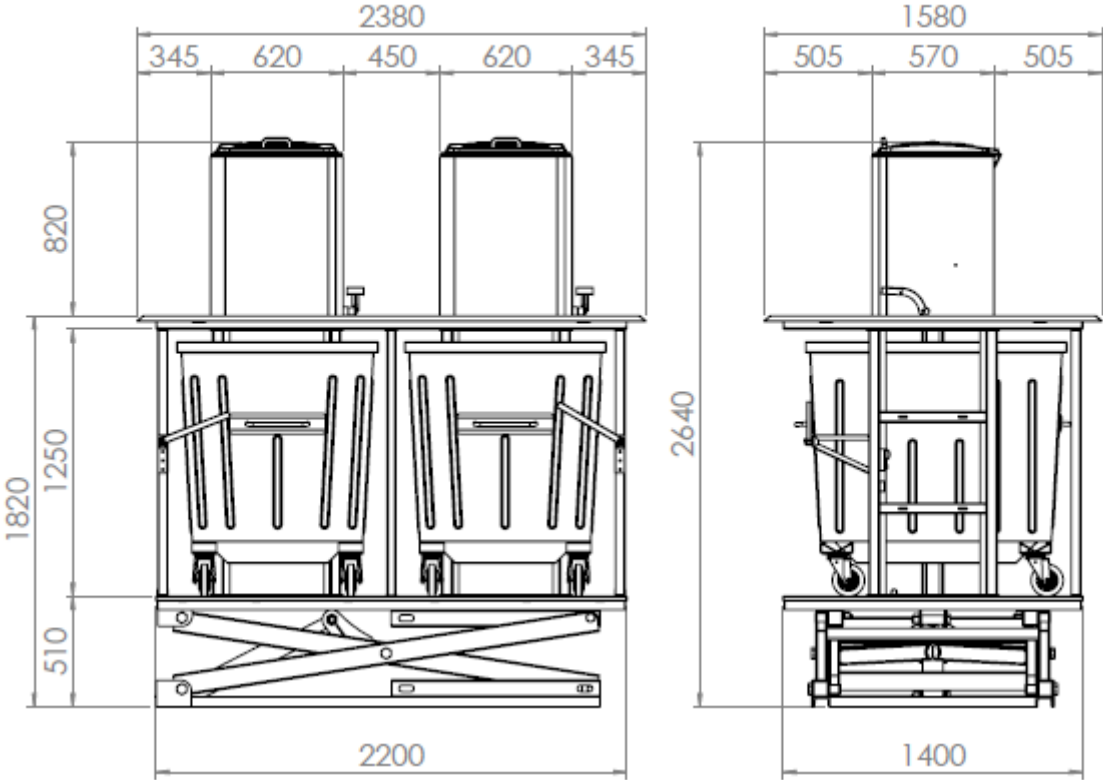
**32-** The waterproofing of the outer concrete socket will be 100%. The concrete socket will be one piece (solid) with a wall thickness of 120 mm, internal dimensions of at least 1480x2280x1800 mm, and external dimensions of at least 1720x2520x1900 mm.

**33-** 2 pieces of 1,100.liter garbage containers will be provided in the Jack System.

**TS EN 13071-1 and TS EN-13071-2 +A1 CERTIFICATE FOR JACKED SYSTEM**

**IT WILL BE TS EN ISO 1461 CERTIFICATE FOR HOT DIP GALVANIZED.**

TECHNICAL DIMENSIONS



CONCRETE SOCKET DIMENSIONS

